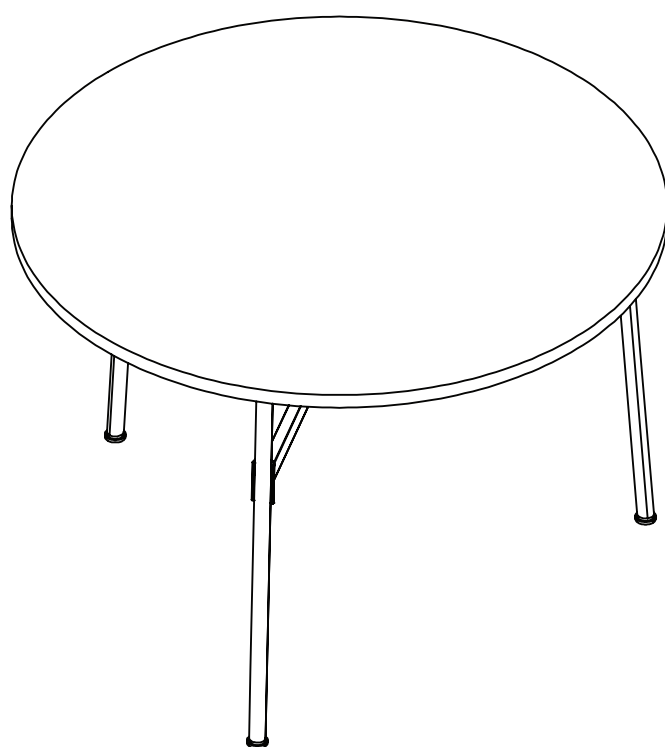


normann

C O P E N H A G E N



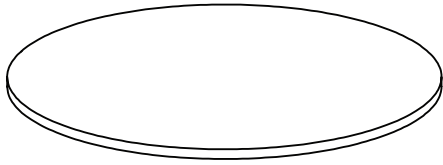
UNION
ASSEMBLY
INSTRUCTIONS

normann

C O P E N H A G E N

UNION - ASSEMBLY MANUAL

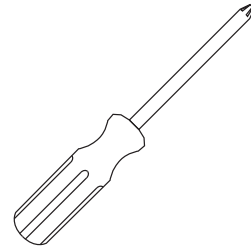
I



x 1



x 3



x 1

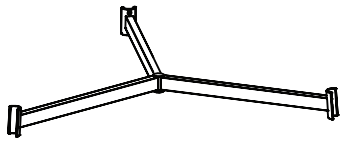


A

B

C

D



x 1



x 12



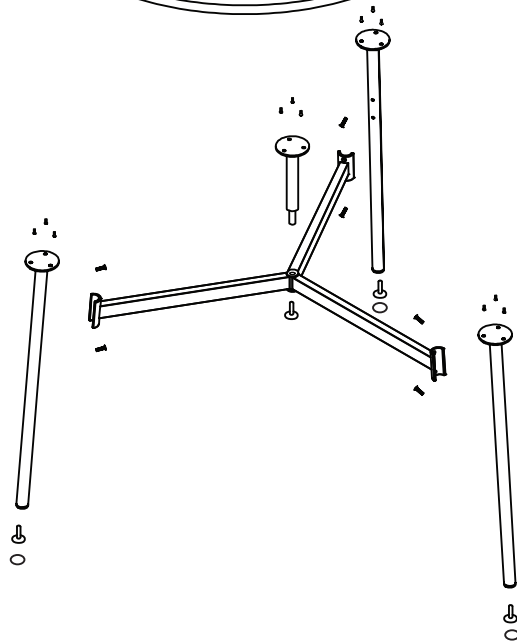
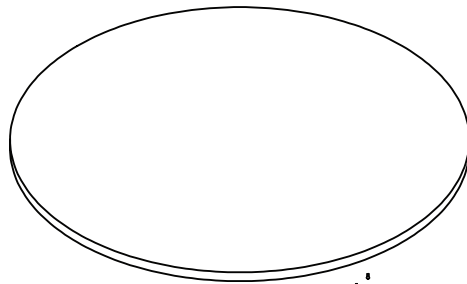
x 6



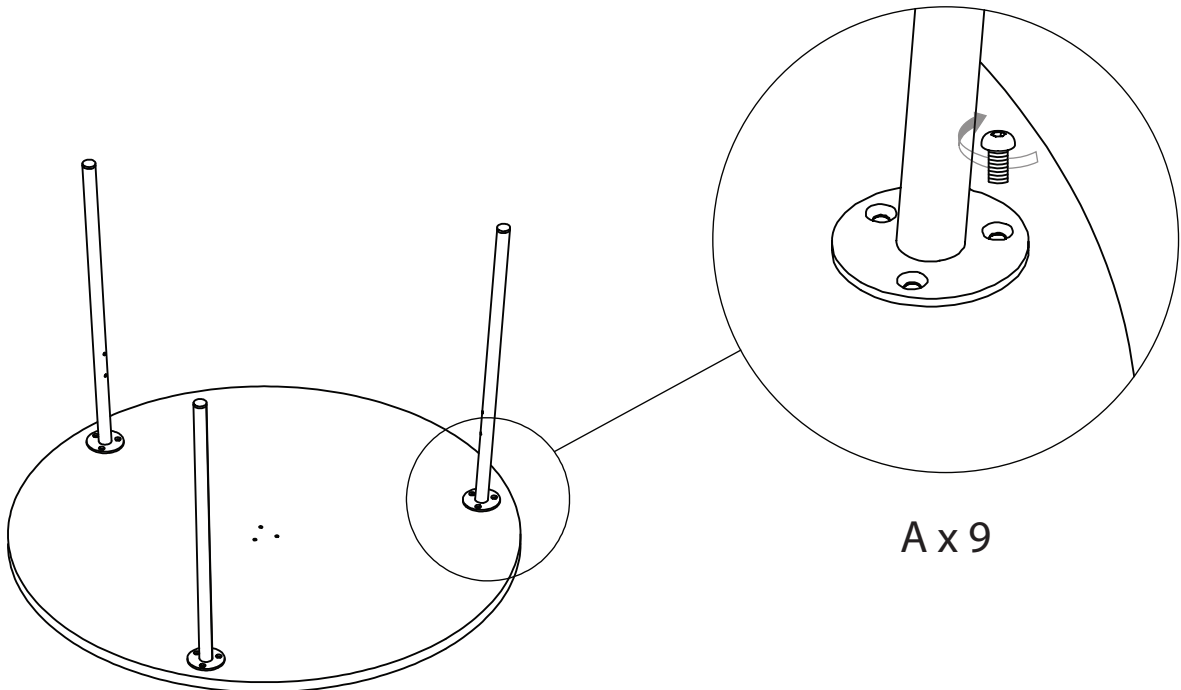
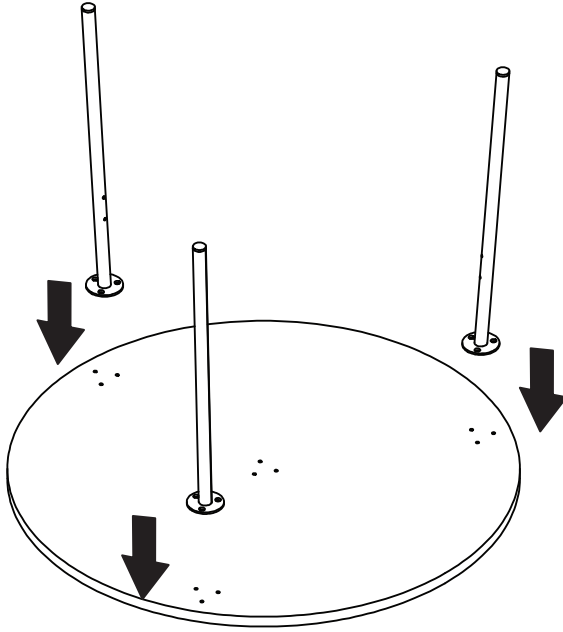
x 4



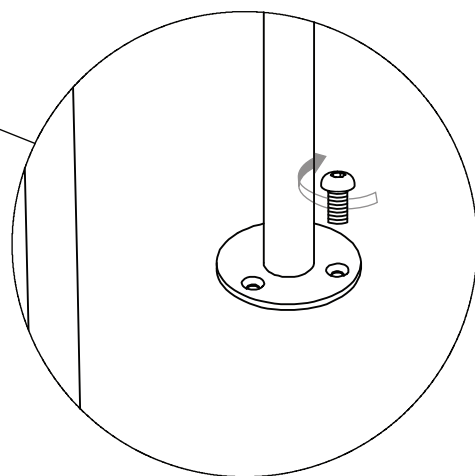
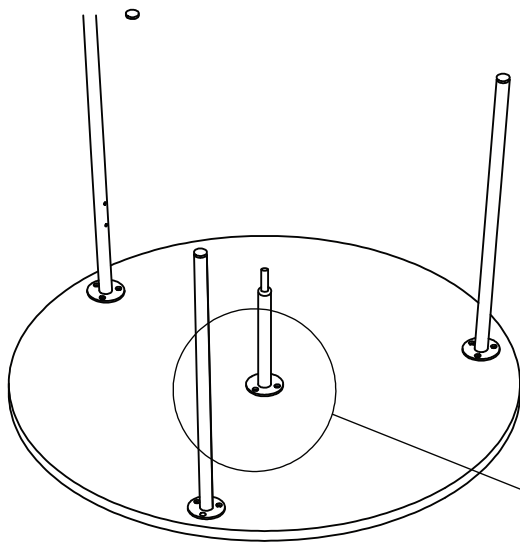
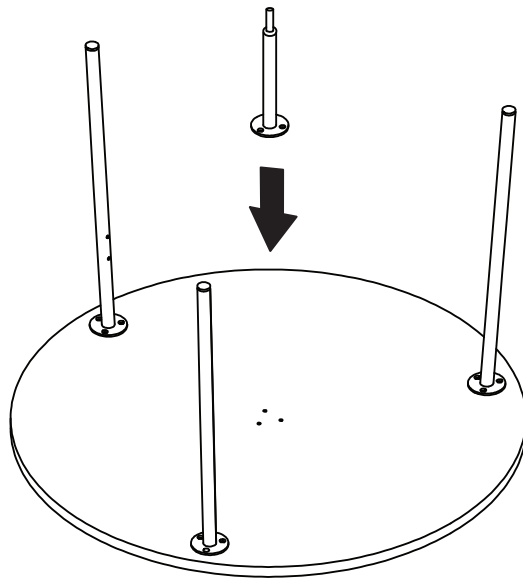
x 3



2

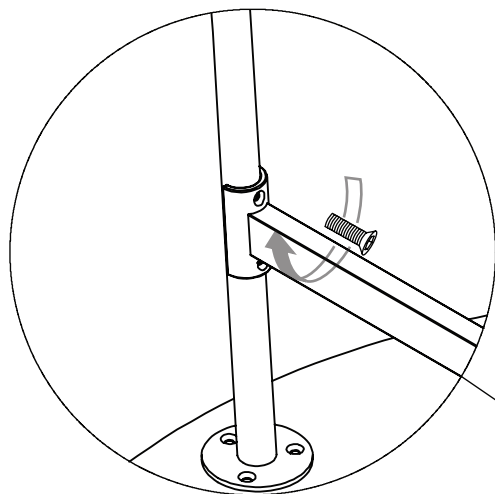
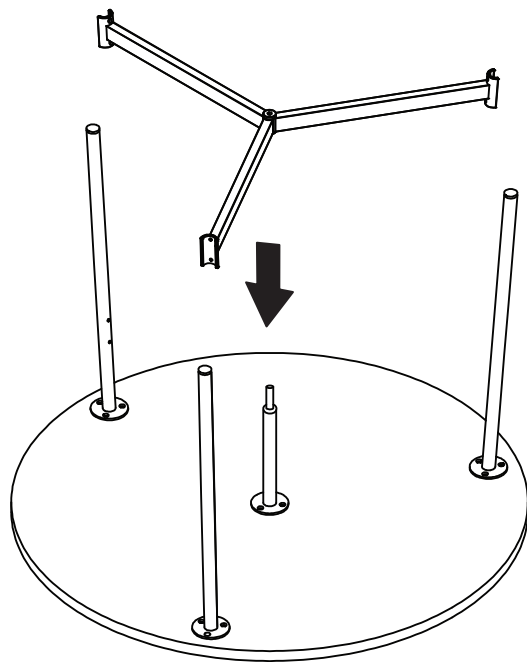


3

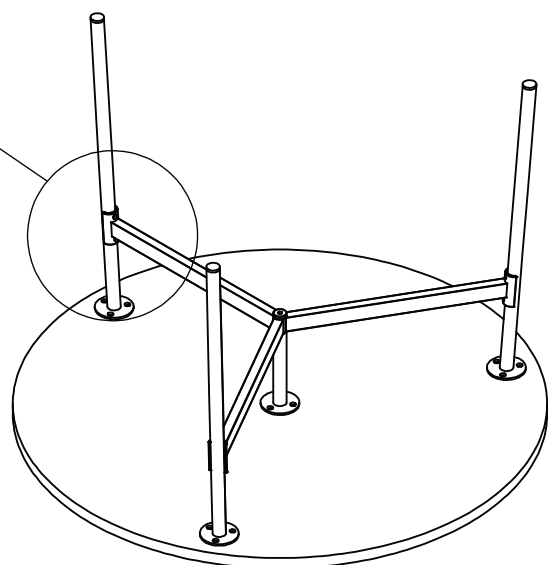


A x 3

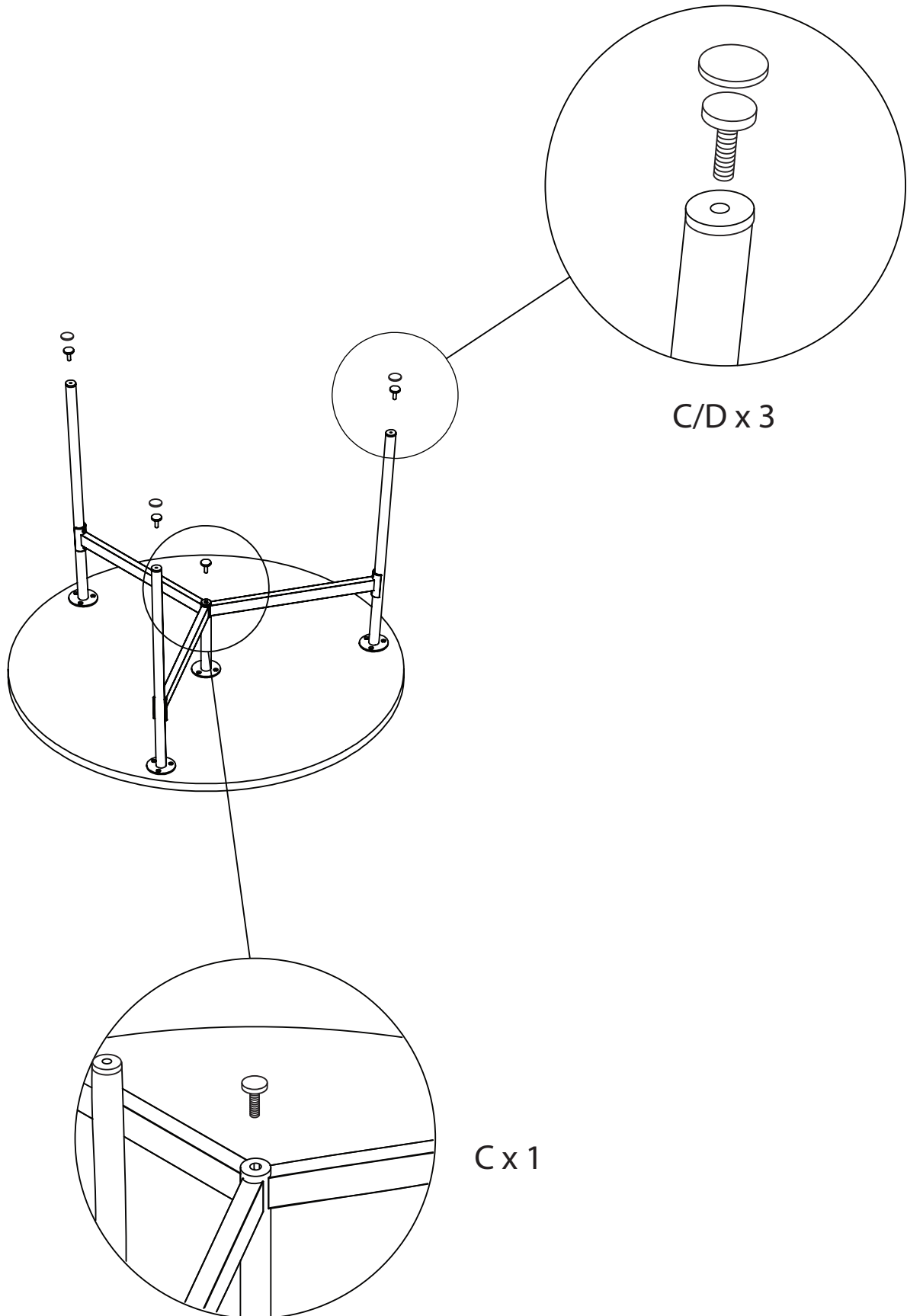
4



B x 6



5



normann

C O P E N H A G E N

Normann Copenhagen · Østerbrogade 70
2100 Copenhagen Ø · Denmark · Tlf. +45 35 55 44 59
normann-copenhagen.com · normann@normann-copenhagen.com